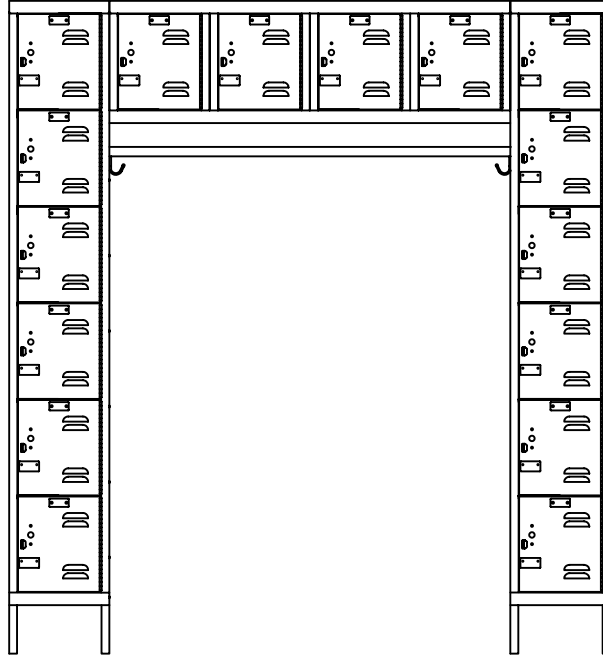


STANDARD K. D. 16-PERSON STOCK LOCKER ASSEMBLY INSTRUCTIONS



General Instructions

1. Check material received against the packing list. First check the number of packages received and then check the contents of each package.
2. Check material received for damage. If damage has occurred, secure a "damage notation" from the carrier.
3. Identify each part as it is unpacked and put like parts together as close as possible to the working area in which they are to be assembled.
4. Be careful to use the correct hardware as specified in the assembly instructions.
5. Items with suffix (xx) are available options.

CAUTION

IN THE INTEREST OF SAFETY, ALL LOCKERS MUST BE SECURELY ANCHORED TO THE FLOOR AND/OR WALL.
FOR SAFETY, HANDLE ALL COMPONENTS CAREFULLY AND WEAR WORK-GLOVES WHEN ASSEMBLING LOCKERS.

INSTALL ALL UNITS PLUMB AND TIGHTEN ALL HARDWARE SECURELY.

RETAIN INSTRUCTIONS FOR FUTURE REFERENCE.



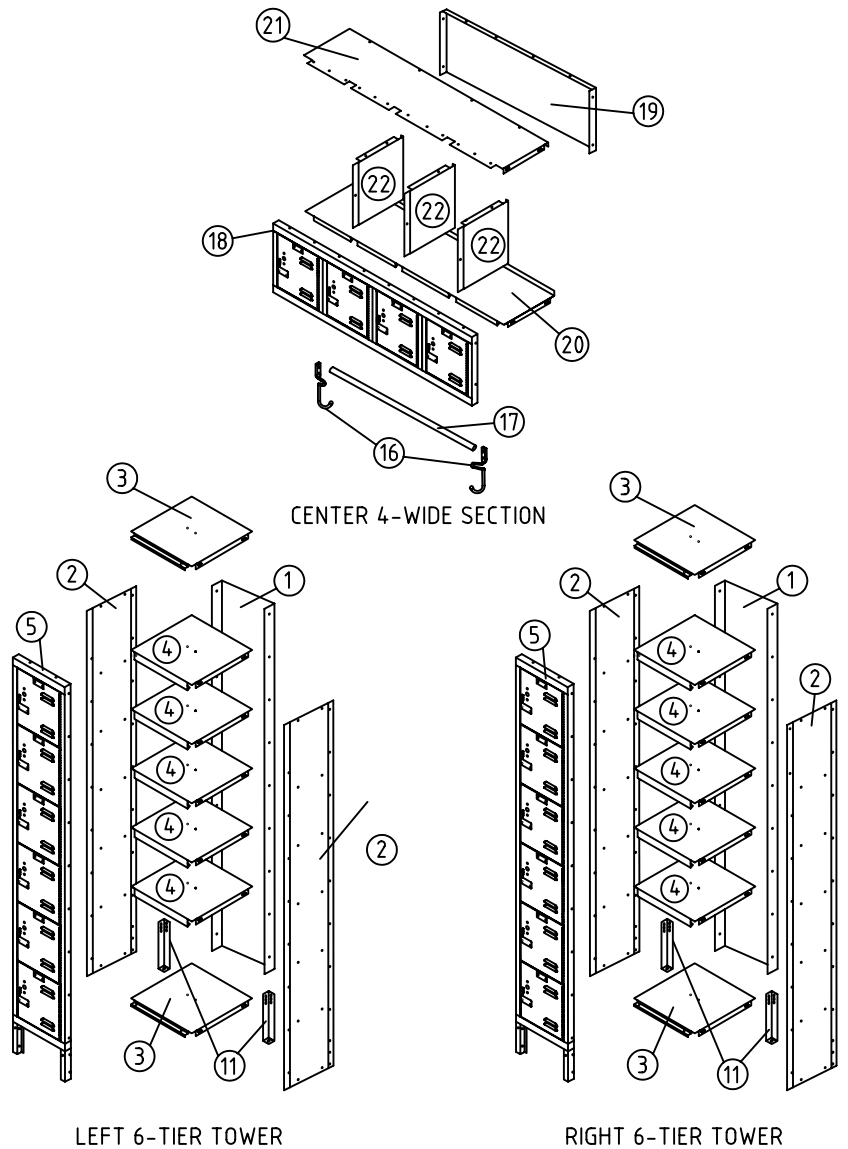
401 Jim Moran Blvd., P.O. Box 4157 Phone (954) 429-9662
Deerfield Beach, FL 33442 Fax (954) 428-3843

www.ArtMetalProducts.com

STANDARD K. D. 16-PERSON STOCK LOCKER ASSEMBLY INSTRUCTIONS

PACKAGE CONTENTS

REF. NO.	DESCRIPTION	PART NO.	QTY.
①	REAR PANEL	KR1272	2
②	RIGHT/LEFT SIDE PANEL	KP1872-16P	4
③	TOP/BOTTOM SHELF	KS1218	4
④	INTERMEDIATE SHELF	KH1218	10
⑤	DOOR FRAME ASSEMBLY	LKDF1278-6LV	2
× ⑥	DOOR	LKD1272-6LV	16
⑦	BOX DOOR LATCH PULL	KBLP100	16
xxx ⑧	NUMBER PLATE	NPA-E	16
⑨	NUMBER PLATE RIVET	RV101	32
xx ⑩	STRIKE PLATE	xxSP100	xx16
⑪	REAR LEG	KLG	4
⑫	3/8" SLOTLESS BOLT	MBT200	244
⑬	HEX NUT	N201	212
⑭	HI-DOME CAP NUT	N110	32
× ⑮	PIANO HINGE	PH11	16
⑯	COAT ROD HOOK	H8K	2
⑰	COAT ROD	KCR48	1
⑱	DOOR FRAME ASSEMBLY	LKDF4812-16LV	1
⑲	CENTER REAR PANEL	KR16CP	1
⑲	CENTER BOTTOM	KP16CB18	1
⑲	CENTER TOP	KP16CT18	1
⑲	CENTER SIDE PANEL	KP16CS18	3
× ⑲	RIVET (HINGE)	RV102	32



NOTE:

FOR OPTIONAL INDIVIDUAL SLOPE TOPS,
SEE SUPPLEMENTAL INSTRUCTION SHEET NO. PKAMP01-A

FOR OPTIONAL 6" HIGH CLOSED METAL BASE,
SEE SUPPLEMENTAL INSTRUCTION SHEET NO. PKAMP01-B

× SHIPS PRE-HUNG IN FRAME ASSEMBLY.

xxx CUSTOMER TO SPECIFY NUMBER SEQUENCE.

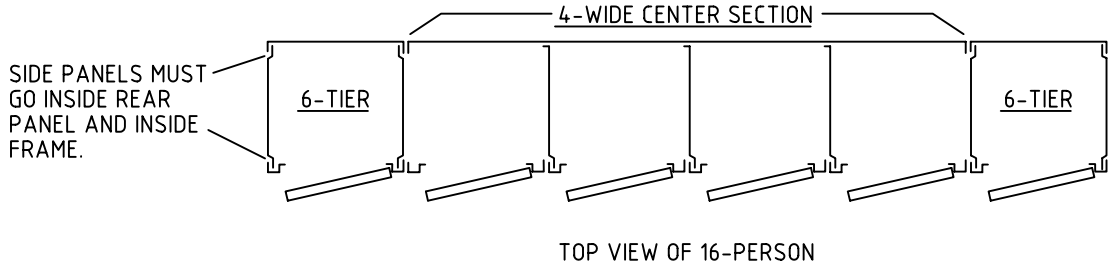
xx STRIKE PLATES ARE OPTIONAL - INCLUDES TWO RIVETS (9).

TWO-YEAR WARRANTY

ART METAL PRODUCTS KD LOCKERS ARE COVERED AGAINST ALL DEFECTS IN MATERIALS AND WORKMANSHIP EXCLUDING FINISH, DAMAGE RESULTING FROM DELIBERATE DESTRUCTION AND VANDALISM FOR A PERIOD OF TWO YEARS.



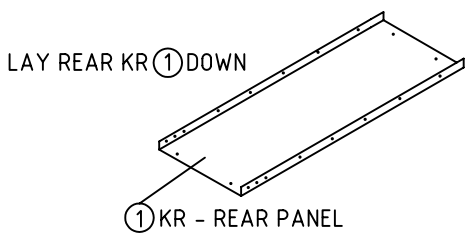
STANDARD K.D. 16-PERSON STOCK LOCKER ASSEMBLY INSTRUCTIONS



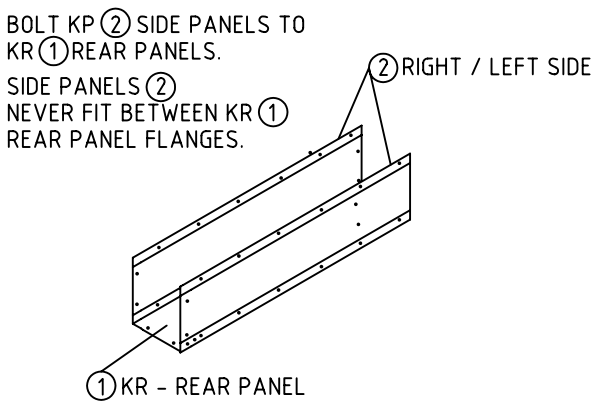
6-TIER LEFT AND RIGHT TOWER SECTIONS

FINGER TIGHTEN ONLY UNTIL FINAL ASSEMBLY

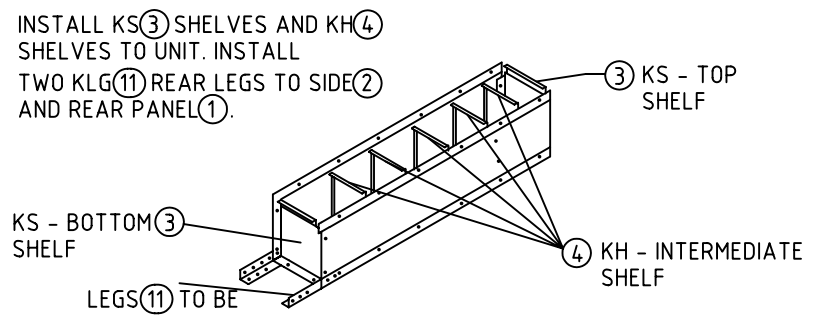
STEP 1



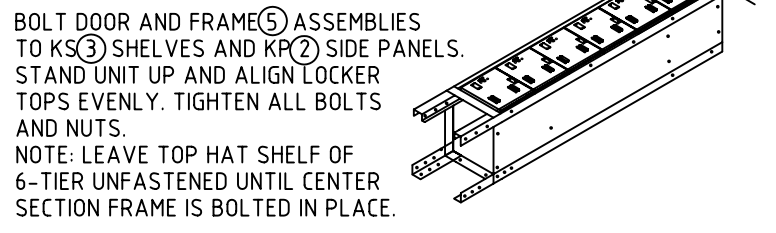
STEP 2



STEP 3



STEP 4



ART METAL PRODUCTS MAKES EVERY EFFORT TO ENSURE THAT ALL UNITS SHIP COMPLETE. HOWEVER, SHOULD YOUR UNIT CONTAIN MISSING OR DAMAGED PARTS, REPLACEMENTS MAY BE OBTAINED FROM ART METAL PRODUCTS. TO OBTAIN PARTS, FOLLOW THESE INSTRUCTIONS.

PLEASE PROVIDE THE FOLLOW INFORMATION:

- | | |
|---|--------------------------------------|
| MODEL NUMBER | PURCHASE DATE |
| DESCRIPTION OF PART(S) NEEDED & PART NUMBER(S) AS SHOWN IN PARTS LIST | COMPANY NAME & CONTACT PERSON |
| COLOR | WHERE THE PRODUCT WAS PURCHASED FROM |
- IF REQUESTING PARTS BY TELEPHONE, ASK FOR CUSTOMER SERVICE & PROVIDE THE ABOVE INFORMATION.

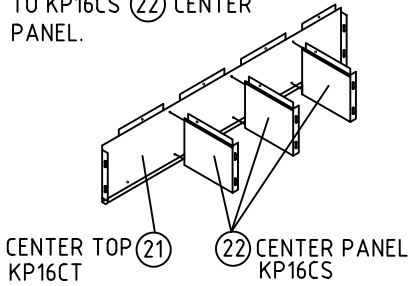


STANDARD K.D. 16-PERSON STOCK LOCKER ASSEMBLY INSTRUCTIONS

CENTER SECTION

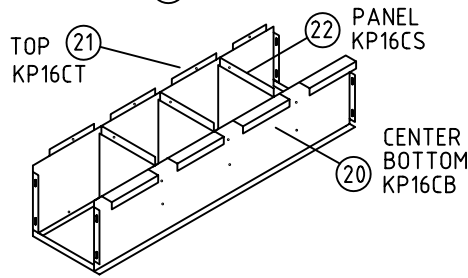
STEP 5

BOLT KP16CT (21) CENTER TOP TO KP16CS (22) CENTER PANEL.



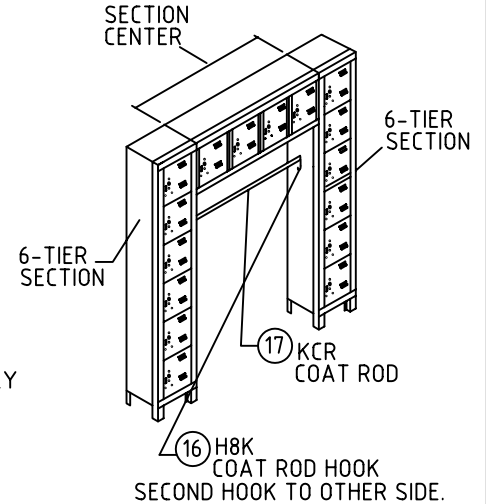
STEP 7

BOLT KP16CB (20) CENTER BOTTOM TO (19) CENTER REAR AND (22) CENTER PANEL



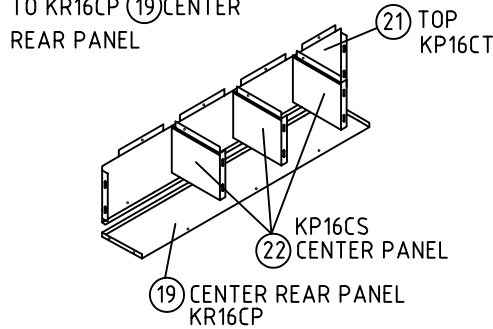
STEP 9

WITH REAR OF CENTER SECTION ON A FLAT SURFACE, ATTACH TO LEFT AND RIGHT 6-TIER LOCKERS USING 10-24 x 1/2" BOLTS THRU HOLES SHOWN.



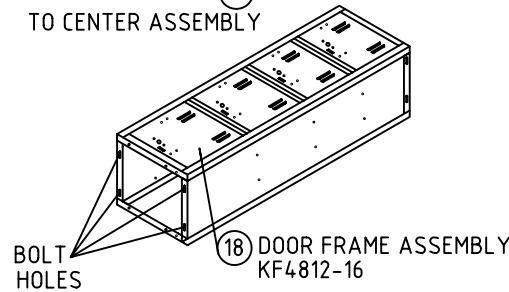
STEP 6

BOLT (21) TOP AND (22) CENTER PANEL TO KR16CP (19) CENTER REAR PANEL



STEP 8

BOLT KF4812-16A (18) DOOR FRAME ASSEMBLY TO CENTER ASSEMBLY



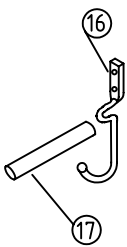
STEP 10

STAND LOCKER UPRIGHT.

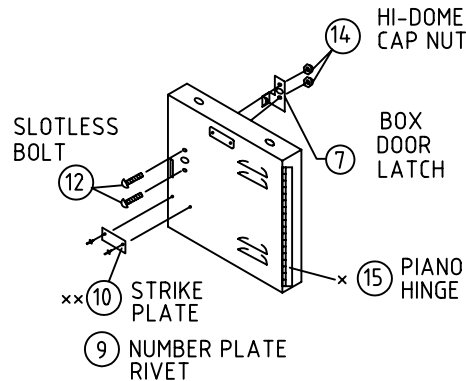
STEP 11

HOOKS TO BE BOLTED TO SIDE PANELS WITH COAT ROD IN BETWEEN.

- (16) COAT ROD HOOK H8K
- (17) COAT ROD KCR48

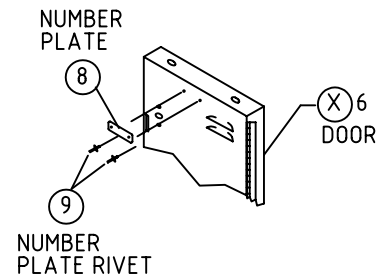


STEP 12



ASSEMBLY OF STRIKE PLATE & LATCH PULL

STEP 13



ASSEMBLY OF NUMBER PLATE

HARDWARE USED FOR MAIN LOCKER ASSEMBLY



10 - 24 x 3/8"



N201 HEX NUT (13)

MBT200 SLOTLESS BOLT (12)

TIGHTEN NUT WITH A NUT DRIVER OR WRENCH (SCREW IS TAMPER RESISTANT).

TOOLS REQUIRED: 3/8" NUT DRIVER
(3/8" SOCKET MAY BE SUBSTITUTED)

