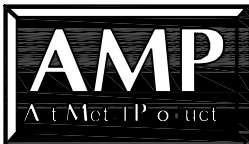
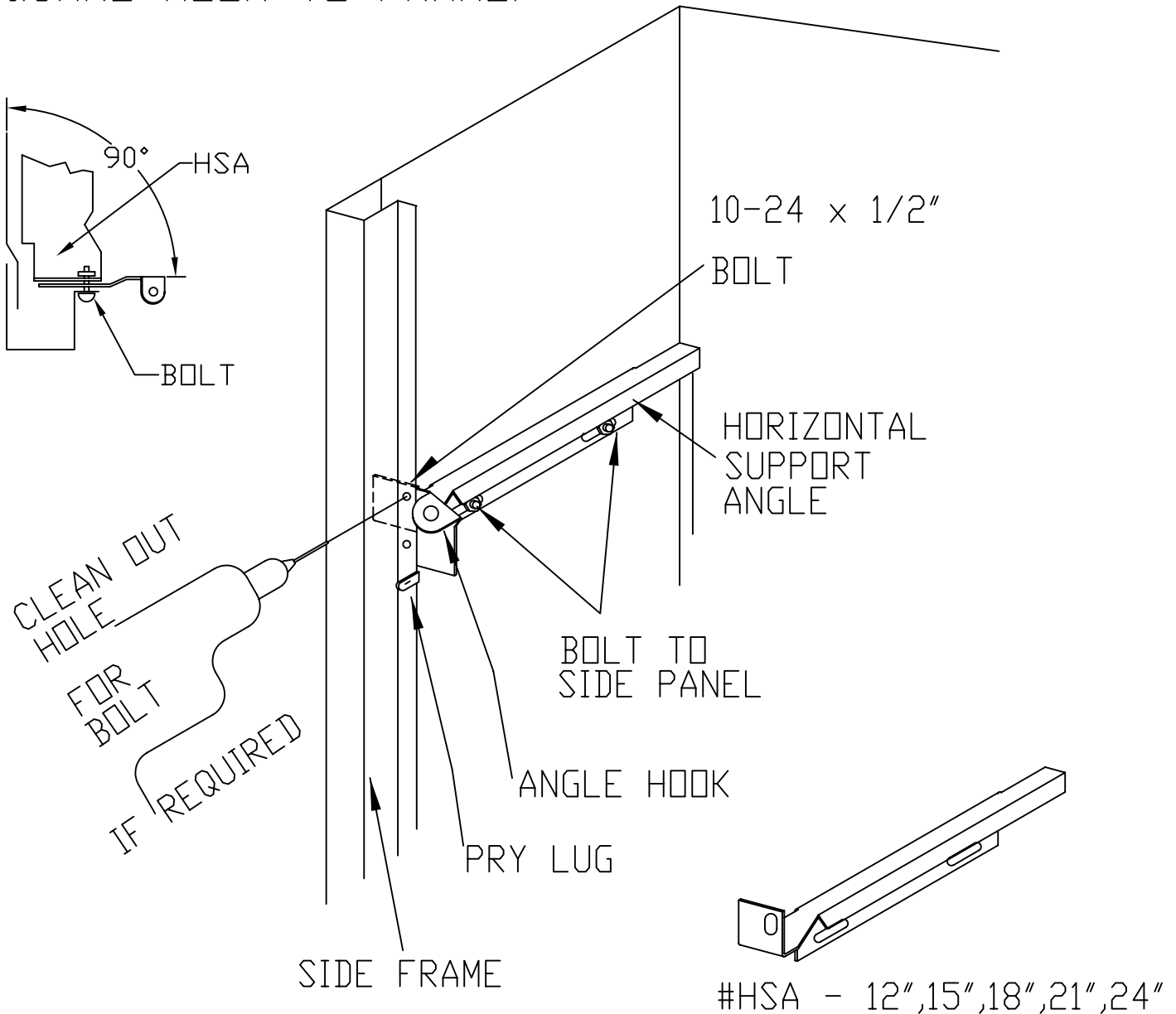


HORIZONTAL SUPPORT ANGLE INSTALLATION:

USED FOR BUILT-IN-LOCKS ON SINGLE/DOUBLE TIER 60" & 72" MAGNUM STUDENT LOCKERS.

1. BOLT LOOSELY TO SIDE PANEL.
2. SLIDE FORWARD TO BACK OF ANGLE HOOK.
3. BOLT TO ANGLE HOOK AND TIGHTEN.
4. TIGHTEN SIDE PANEL BOLTS.
5. SQUARE HOOK TO FRAME.



401 Jim Moran Blvd, PO Box 4157, Deerfield Beach, FL 33442
 Tel (800) 252-5633 Fax (954) 428-3843

REVISIONS			FIELD APPLIED HORIZ. SUPPORT ANGLE "HSA"		
NO.	DATE	BY	DRWN BY	DATE	SCALE
2	10/24/94	MDS	TEB	1/28/99	NONE
3	10/10/03	JMH	CHK'D	DATE	DRWG NO.
4	09-08-04	JMH	MDS	1/28/99	SA-0214
5	09-29-04	JMH	APP'D	DATE	