

# ROOKIE KD SPORT LOCKER INSTALLATION INSTRUCTIONS

## General Instructions

1. Check material received against the packing list. Check the number of packages received and then check the contents of each package.
2. Check the material received for damage. If damage has occurred, secure a “damage notation” from the carrier
3. Identify each part as it is unpacked and put like parts together as close as possible to the working area where they are to be assembled.
4. Be careful to use the correct hardware as specified in the assembly instructions.

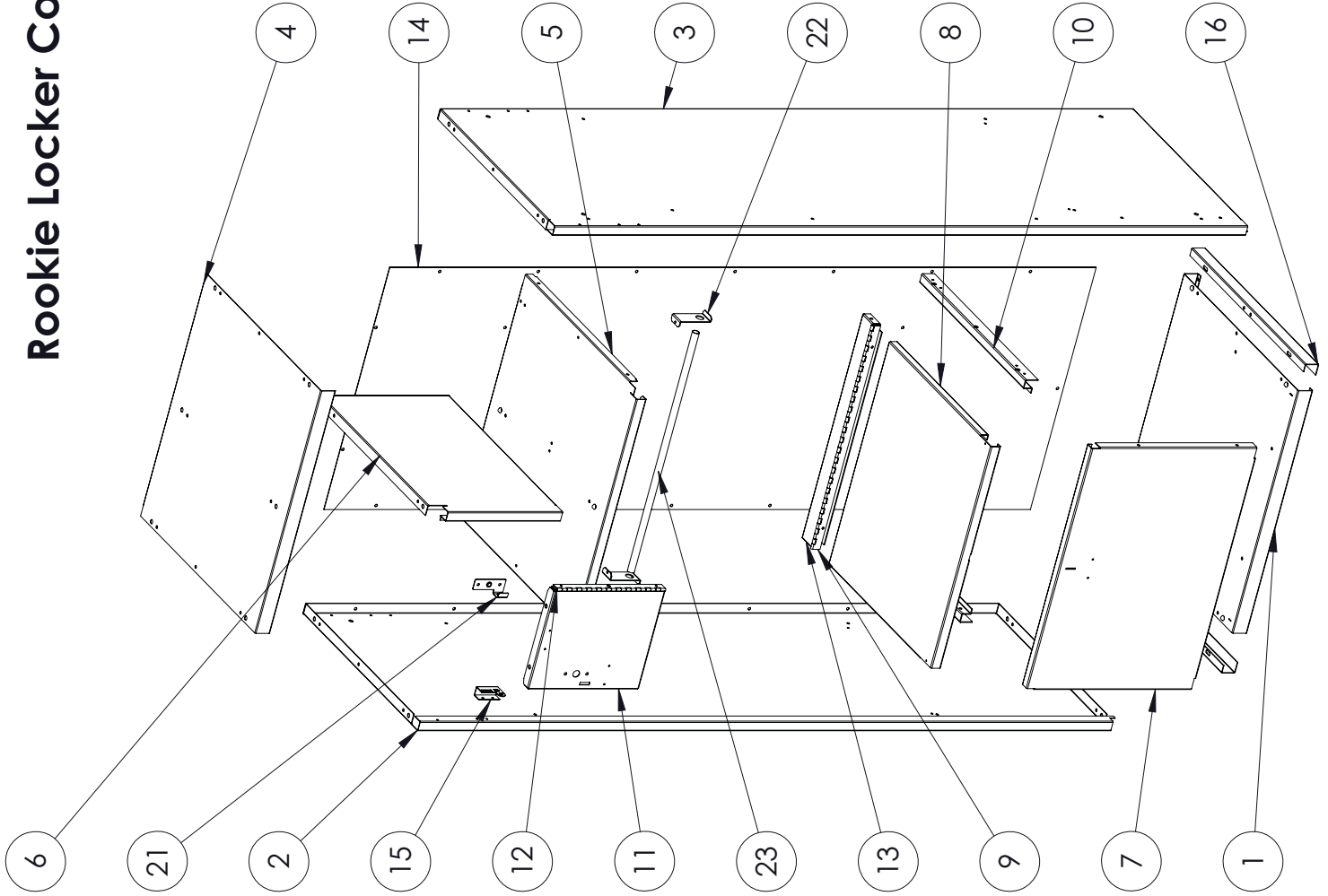
## CAUTION

In the interest of safety, all lockers must be securely anchored to the floor and/or wall. For safety, handle all components carefully and wear work gloves when assembling lockers. Install all units plumb and tighten all hardware securely. Retain instructions for future reference.



800-252-5633  
info@ArtMetalProducts.com  
www.ArtMetalProducts.com

# Rookie Locker Components



ITEM NO.	PART NUMBER	DESCRIPTION	QTY.
1	UWB124ddPS-KD	PS BASE	1
2	ULPd72DP-PS-KD	PRO-SPORT LEFT PANEL	1
3	URPd72DP-PS-KD	PRO-SPORT RIGHT PANEL	1
4	UFT124ddPS-KD	PRO-SPORT FLAT TOP	1
5	UFS24ddPS-KD	PRO-SPORT FULL SHELF	1
6	URP2212PS-B-KD	PRO-SPORT RIGHT PANEL	1
7	PSSF24KD	PRO-SPORT SEAT FRONT	1
8	PSFS24ddKD	PRO SPORT FRONT SEAT	1
9	PH22	SEAT HINGE	1
10	SFSddKD	SEAT SUPPORT	2
11	AKD1272-6PL	BOX DOOR	1
12	PH11	11" PIANO HINGE	1
13	PSSR24ddKD	PRO SPORT SEAT REAR	1
14	UBP2472PS-KD	BACK PANEL	1
15	KBLH101PS	KD BOX DOOR LATCH HOOK	1
16	BECddKD	BASE END CAP	2
17	N201	NUT	63
20	MBT200		63
21	KBLP100	KD BOX DOOR PULL	1
22	TRH200	TOWEL ROD HOLDER	2
23	KCR24	COAT ROD	1



20



17

LEGEND  
dd= DEPTH

TOLERANCES UNLESS OTHERWISE SPECIFIED  
 INCHES  
 XX. ±.010  
 XXX. ±.005  
 FRACTIONAL  
 XX. ± 1/64  
 ANGULAR  
 < ± 1/2°  
 UNLESS OTHERWISE SPECIFIED ALL DIMENSIONS ARE IN INCHES UNLESS OTHERWISE NOTED. DIMENSIONS WILL BE WITHIN [XX]

**Hallowell**  
 www.Hallowell-List.com  
 2823 W. ORANGE AVE.  
 APOPKA, FLORIDA 32703  
 Tel (866) 566-0500  
 Fax (407) 464-3610

DRAWN BY	JIL	DATE	5/23/12
CHECKED BY	RAM	DATE	9/11/14
APPROVED BY	JDF	DATE	9/11/14

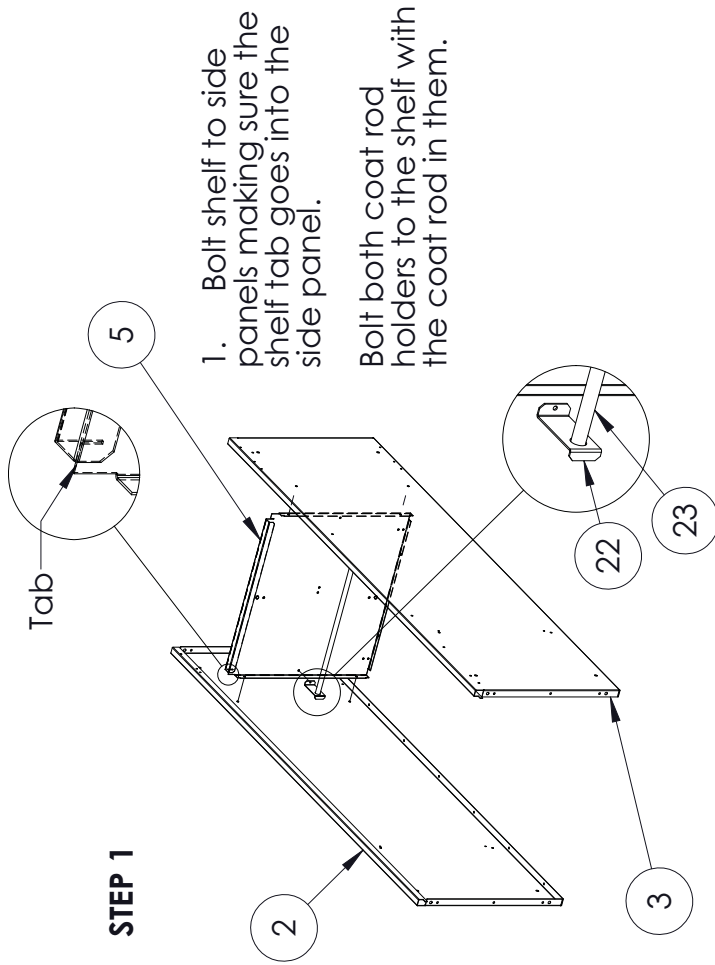
DESCRIPTION: ROOKIE ASSEMBLY

SCALE: SHEET 1 of 1 PART NO. DRAWING NO. SAI563-1 REV.

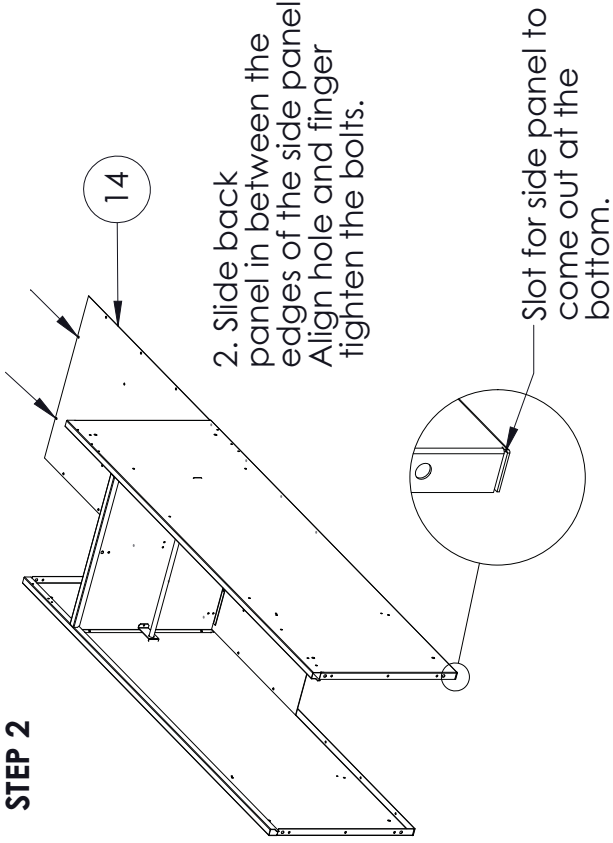
THIS DRAWING AND THE INFORMATION ON IT IS THE CONFIDENTIAL PROPERTY OF HALLOWELL, AND SHALL NOT BE COPIED OR DISCLOSED TO OTHERS WITHOUT WRITTEN PERMISSION. ONLY HALLOWELL RESERVES THE RIGHT TO ALTER ANY DESIGN. ANY UNAUTHORIZED MODIFICATIONS RELEASES HALLOWELL FROM ALL LIABILITIES.

# ROOKIE LOCKER ASSEMBLY

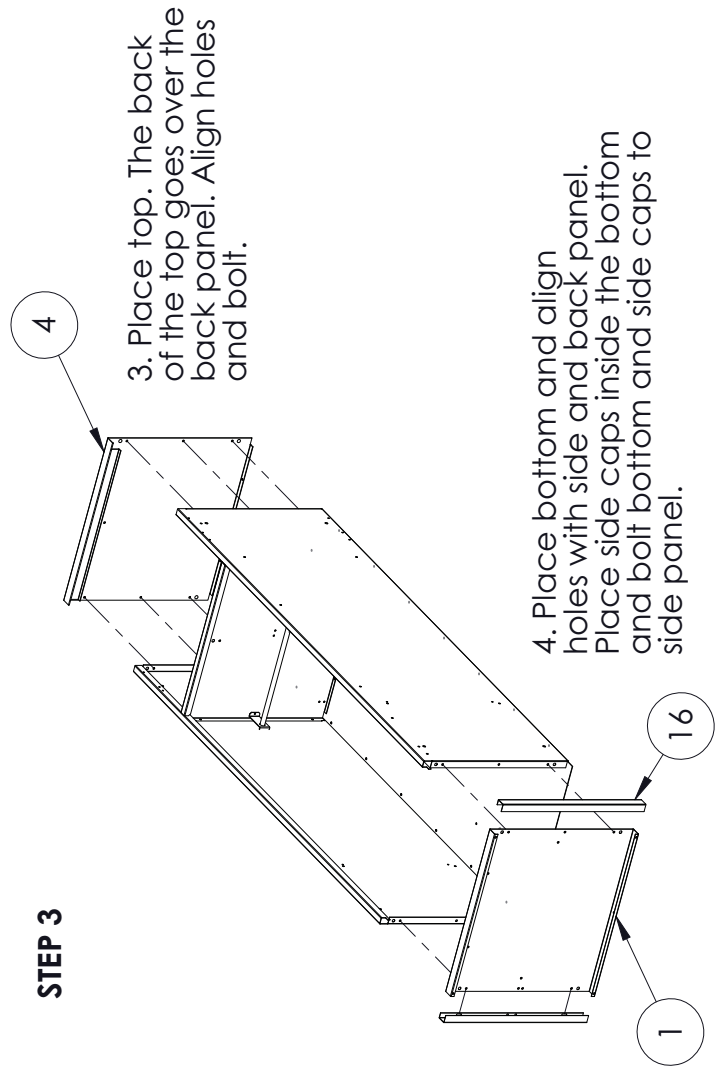
## STEP 1



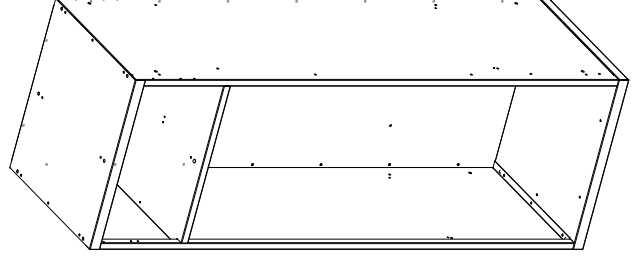
## STEP 2



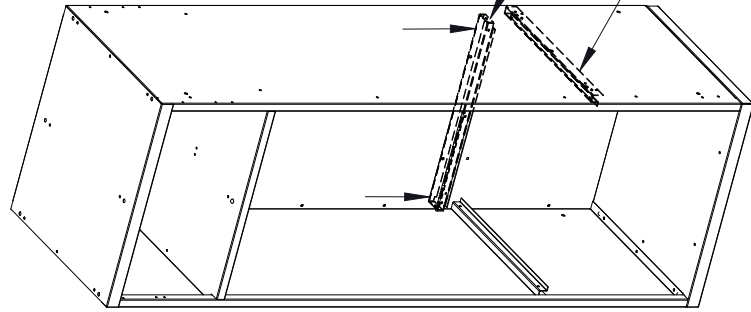
## STEP 3



## Final Product (KSNN)



# ROOKIE FOOT LOCKER ASSEMBLY



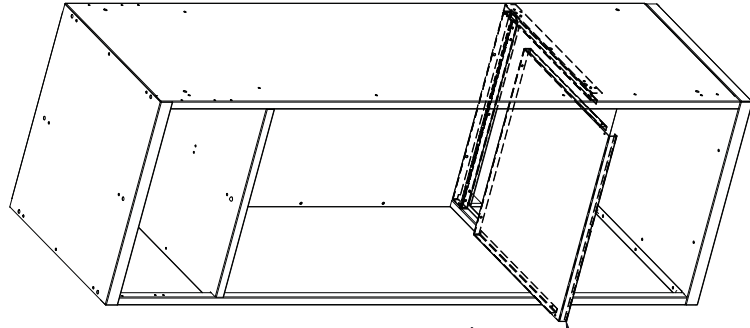
1. Bolt side supports to side panels.

2. Place back support on top of the side support and against the back with hinge side facing forward. Bolt to side supports.

Have a person insert the bolts through the back in order to bolt back support to back panel.

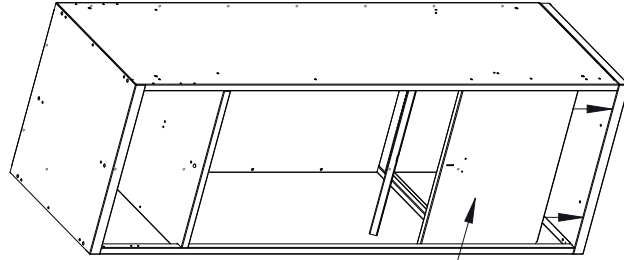
13

10



3. Bolt seat to the hinge located on the back support

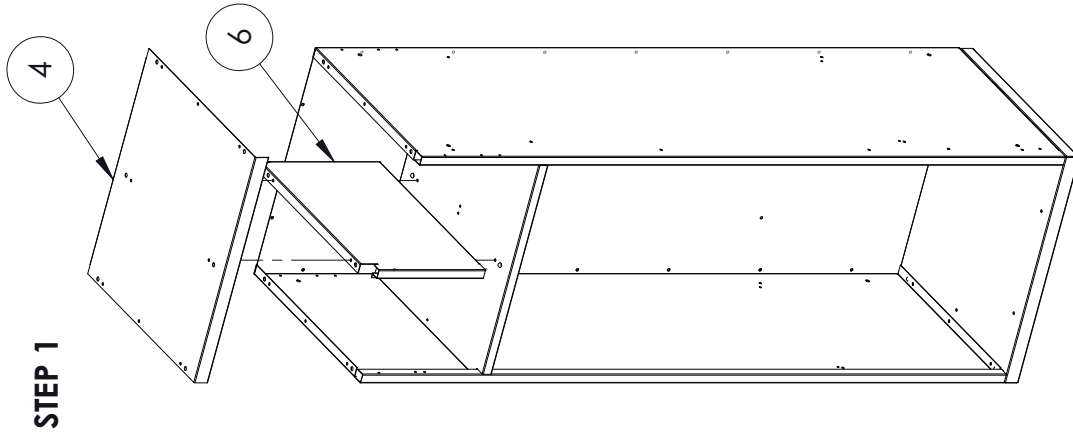
8



7

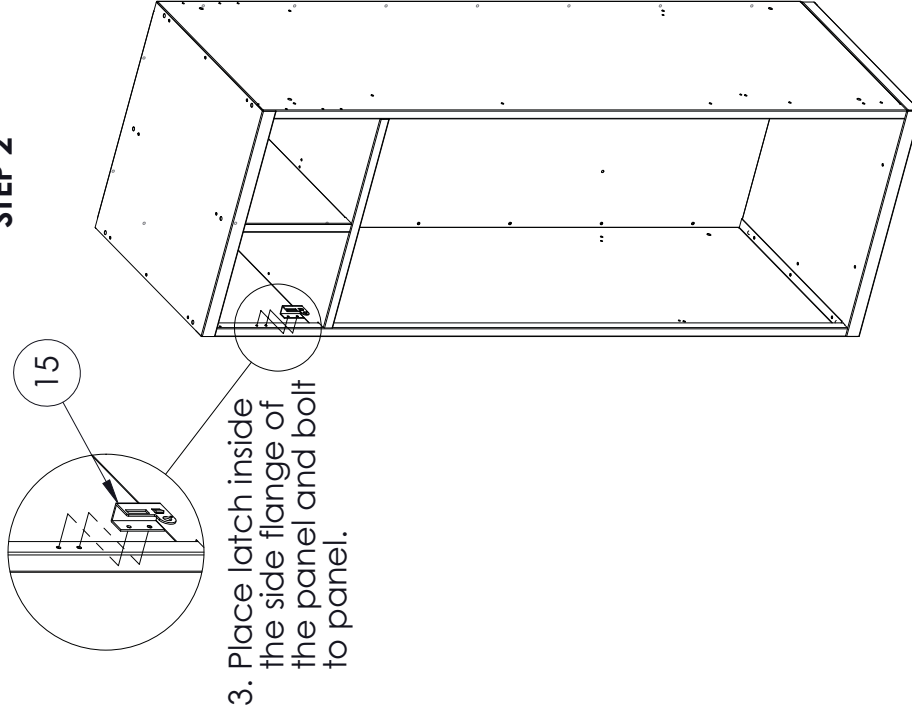
4. Insert front support and set in between frame and side support.  
5. Slide to the bottom and bolt to side panels and bottom of unit.

# ROOKIE SECURITY BOX ASSEMBLY

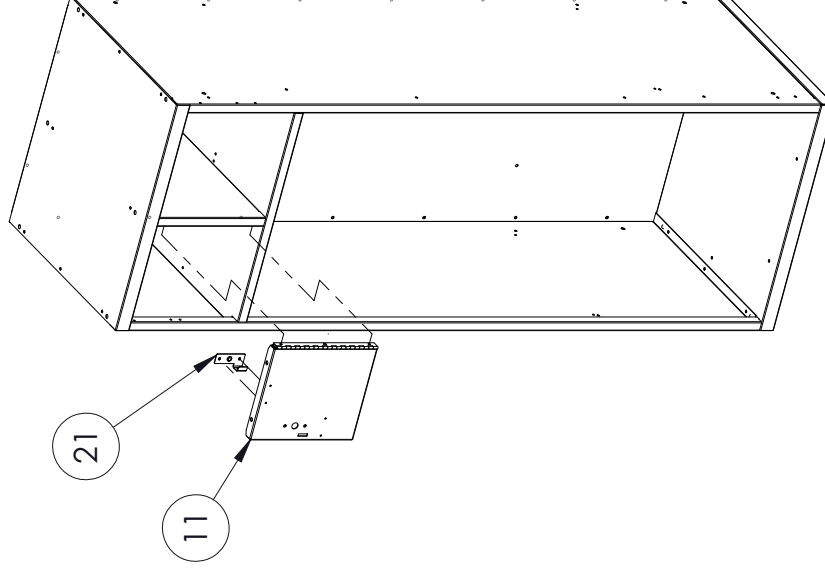


1. Bolt divider to the shelf.
2. Place the top and bolt to divider and side panels.

**STEP 2**



**STEP 3**



4. Bolt door to outside of divider.
5. Bolt finger pull to the inside of the door.